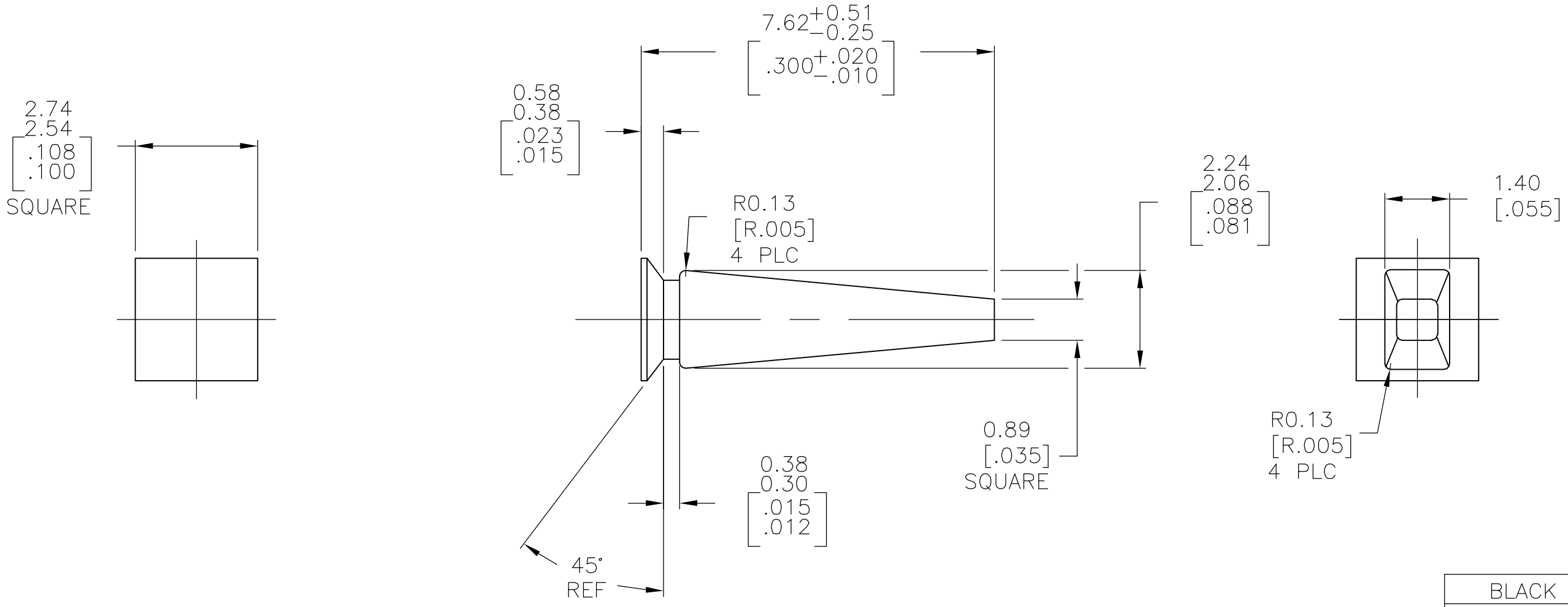


THIS DRAWING IS UNPUBLISHED. RELEASED FOR PUBLICATION
 © COPYRIGHT - BY TYCO ELECTRONICS CORPORATION. ALL RIGHTS RESERVED.

| LOC | DIST | REVISIONS | | | | | |
|-----|------|-----------|-----|---------------|---------|-----|------|
| | | P | LTR | DESCRIPTION | DATE | DWN | APVD |
| CM | 54 | | F1 | ECO-06-017889 | 07AUG06 | BSV | DB |

1 MOLDING COMPOUND NYLON,6/6 .
 2. DIMENSIONS IN BRACKETS ARE IN INCHES.



| | |
|---------|----------|
| BLACK | 640254-2 |
| NATURAL | 640254-1 |
| COLOR | PART NO. |

METRIC

| | | | | | |
|--|--|------------------|---------|---|------------|
| THIS DRAWING IS A CONTROLLED DOCUMENT. | | DWN | 10DEC91 | Tyco Electronics Corporation Harrisburg, Pa 17105-3608 | |
| DIMENSIONS: mm [INCHES] | | CHK | 10DEC91 | | |
| TOLERANCES UNLESS OTHERWISE SPECIFIED: | | R | SWING | NAME | |
| 0 PLC ± - | | APVD | 11DEC91 | SL-156 KEYING PLUG, .045 SQ. POST CONNECTOR | |
| 1 PLC ± - | | PRODUCT SPEC | | SIZE | |
| 2 PLC ± - | | APPLICATION SPEC | | CAGE CODE | DRAWING NO |
| 3 PLC ± 0.13 [.005] | | WEIGHT | | A3 | 00779 |
| 4 PLC ± - | | CUSTOMER DRAWING | | C-640254 | |
| ANGLES ± - | | SCALE | | 10:1 | |
| FINISH - | | SHEET | | 1 OF 1 | |
| MATERIAL 1 | | RESTRICTED TO | | REV | |
| | | | | F1 | |